

STEADY BEACONS EExd, Weatherproof FL11, FB11, FL12 & FB12 Range



FL11/FB11 Range



FL12/FB12 Range

Introduction

These certified steady beacons have been designed for use in potentially explosive atmospheres and harsh environmental conditions. The enclosures are suitable for use offshore or onshore, where light weight combined with corrosion resistance is required.

The beacon housing is manufactured completely from a U.V. stable, glass reinforced polyester. Stainless steel screws and mounting bracket are available ensuring a totally corrosion free product.

Units can be painted to customer specification and supplied with identification labels.

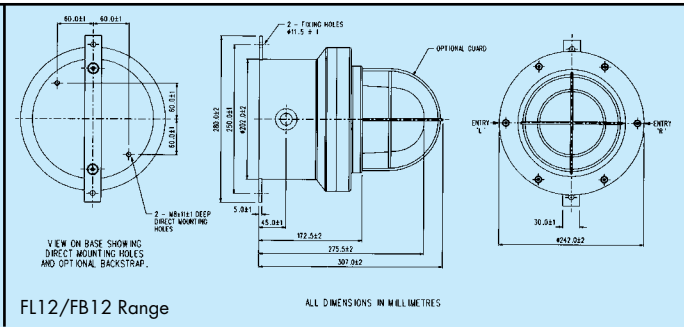
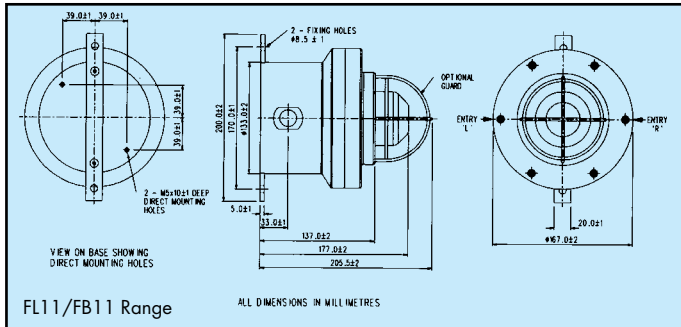


2316 So. 24th Street
Omaha, NE 68108
800.550.1AFP (1237) toll free
402.733.2800 voice
402.344.7469 fax
www.associatedfire.net
E-mail: info@associatedfire.net

- ★ Zone 1 and Zone 2 use.
- ★ EExd, IIB T4/T5.
- ★ ATEX approved, Ex II 2GD*.
- ★ UL listed for USA and Canada*
 - Class I, Div. 2, Groups C & D.
 - Class I, Zone 1, AExd IIB T4/T5.
- ★ BASEEFA Certified.
- ★ GOST 'R' Certified.
- ★ Brazilian (Inmetro) Certified.
- ★ Fluorescent.
- ★ Filament.
- ★ IP66 and IP67.
- ★ Certified temperature -55°C to $+55^{\circ}\text{C}$ *.
- ★ Corrosion resistant GRP.
- ★ Optional stainless steel backstrap.
- ★ Various lens colours.
- ★ Optional lens guard.
- ★ 2 x M20 or 2 x $1/2$ " NPT cable entries.
- ★ Earth continuity option.

*Model dependent





Specification

Models:	FL11 & FL12 – Fluorescent, EExd. FB11 & FB12 – Filament, EExd. FB12 – Filament, EExd & UL Listed.
Certification:	CENELEC EN50014 and EN50018. FB11/FL11 Cert. No. BAS99 ATEX 2195X. FB12/FL12 Cert. No. BAS99 ATEX 2196. BASEEFA EExd IIB – for T rating see table. UL Listed for USA and Canada (FB11 & FB12 only) – Class I, Div. 2, Groups C & D and – Class I, Zone 1, AExd IIB T4/T5. UL Listing No. E187814. GOST 'R': 1Exd IIB (for T ratings see table). Brazilian (Inmetro) Certified: BR-Ex d IIB T4/T5/T6
Voltage:	FL11 & FL12 – 24V d.c., 240V a.c. FB11 & FB12 – 24V d.c., 48V d.c. –110V a.c., 120V a.c., 220V a.c., 240V a.c., 254V a.c.
Fluorescent:	5 Watt type light output 250 Lumens (FL11 24V d.c. version only) – G23 lamp holder. 10 Watt type light output 600 Lumens (FL11 240V a.c. version only) – G23 lamp holder. 13 Watt type light output 900 Lumens (FL12, per tube) – G24Q-1 lamp holder.
Filament:	FB11 – 10W filament fitted as standard – (SBC lamp holder). FB12 – 60W or 100W single filament fitted as standard. Others may be available (UL Listed – 60W only) – (ES27 lamp holder).
Material:	Body: – Glass reinforced polyester (GRP). Lens: – Glass. Cover Screws + Backstrap: – Stainless steel 316.
Finish:	Natural black or painted to customer specification.
Ingress Protection:	IP66 & IP67.
Fire Retardancy:	GRP is fire retardant to ISO 1210.
Earth Continuity:	Optional for metal glands provided via a brass plate.

Terminals:	FL11 (a.c.) 4 x 2.5mm ² . FL11 (d.c.), FB11 6 x 2.5mm ² . FB12/FL12 6 x 6.0mm ² . FB12 UL 6 x 10 AWG.
Labels:	Duty/Tag Label optional.
Entries:	2 x 20mm ISO EExd. 2 x 1/2" NPT UL Listed.
Certified Temperature:	FB11 & FB12, EExd = –55°C to + 55°C*. FL11 & FL12, EExd = –20°C to + 55°C*. *Model dependent – see table for details.

Type	Voltage/Wattage	T Class	Min. Amb.	Max. Amb.
FB11	All	T5	-55°C	+40°C
		T4	-55°C	+55°C
FL11	All	T5	-20°C	+40°C
		T4	-20°C	+55°C
FB12	60W	T5	-55°C	+40°C
	60W	T4	-55°C	+55°C
	100W	T3	-55°C	+30°C
FL12	13W a.c. & d.c.	T6	-20°C	+40°C
	13W a.c.	T5	-20°C	+55°C
	26W a.c.	T5	-20°C	+40°C
	26W a.c.	T4	-20°C	+55°C
	39W a.c.	T4	-20°C	+40°C

Weight:	FL11, FB11 – 2.8 kg*. FL12 – 7.2 kg*. FB12 – 7.6 kg*. *dependant on model.
---------	---

Ordering Requirements

The following code is designed to help in the selection of the correct unit. Build up the reference number by inserting the code for each component into the appropriate box.

Unit Type	Certification	Voltage	Lamp Wattage	Lens Colour	Guard	Unit Fixing	Earth Continuity	Tag/Duty Label	Finish
FL11 FB11 FL12 FB12	Cert. Code Uncertified W ATEX B UL Listed* UL GOST 'R' G Inmetro DM				Guard Code None N Yes Y	Unit Fixing Code Direct Mounting D Backstrap B		Label Code None N Yes Y (Please specify)	Finish Code Natural Black N Red R Blue B Yellow Y Grey G White W Special Finish S
	*UL listed only available FB11 & FB12.								
Voltage Code			Lamp Wattage Code	Colour Code			Continuity Code		
24V d.c. 024			FL11 † 5W d.c. (1 x 5W tube)* 5	Red R			None N		
48V d.c.* 048			10W a.c. (1 x 10W tube)* 10	Blue B			Yes* Y		
110V a.c.* 110			FB11 † 10W a.c. & d.c. (1 x 10W bulb) 10	Green G			*Not available in UL versions.		
120V a.c. † 120			FL12 13W a.c. & d.c. (1 x 13W tube)* 13	Amber A					
220V a.c.* 220			26W a.c. (2 x 13W tubes)* 26	Yellow Y					
240V a.c. 240			39W a.c. (3 x 13W tubes)* 39	Clear C					
254V a.c.* 254			FB12 60W a.c. & d.c. (1 x 60W bulb) 60						
Other voltages available, please specify.			100W a.c. & d.c. (1 x 100W bulb) 100						
*FB11 & FB12 only									
†FB12 UL Listed only									
			*Not available in UL versions.						
			†Inmetro Only available on FL11 & FB11						



All the above specifications, dimensions, weights and tolerances are nominal (typical) and MEDC reserve the right to vary all data without prior notice. No liability is accepted for any consequence of use.