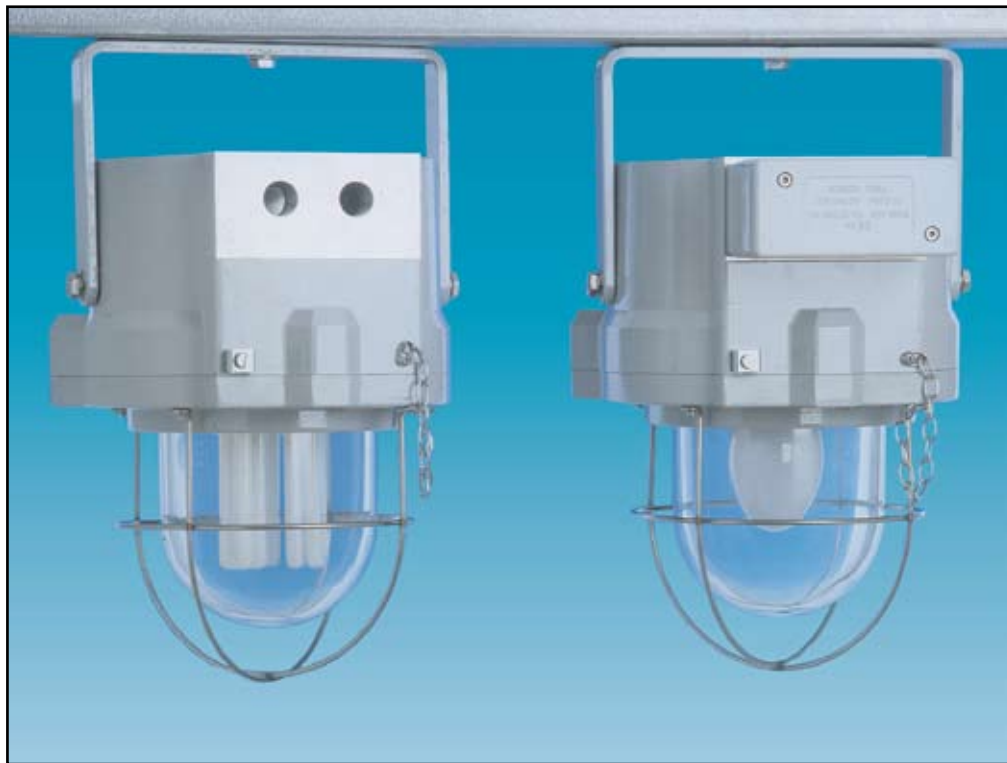


STEADY BEACONS EExd(e), Weatherproof FL5, FB5, MF5, HS5 Range



Introduction

These certified steady beacons have been designed for use in flammable atmospheres and harsh environmental conditions. The marine grade alloy enclosures are suitable for use offshore or onshore, where light weight combined with corrosion resistance and strength is required. Units can be painted to customer specification and fitted with identification labels.

All models available with optional EExe terminal chamber.



2316 So. 24th Street
Omaha, NE 68108
800.550.1AFP (1237) toll free
402.733.2800 voice
402.344.7469 fax
www.associatedfire.net
E-mail: info@associatedfire.net

- ★ Zone 1 and Zone 2 use.
 - ★ EExde IIBT3/T4.
 - ★ ATEX approved Ex II 2G.
 - ★ BASEEFA certified.
 - ★ CSA certified (HS5 only).
 - ★ Certified temperature -20°C to $+50^{\circ}\text{C}^*$.
 - ★ IP66, IP67 & IP68.
 - ★ Fluorescent/sodium/mercury/filament.
 - ★ EExde version has gland earth continuity in the GRP terminal chamber.
 - ★ Corrosion Resistant.
 - ★ Optional guard.
 - ★ Retained cover screws.
- *Model dependent.

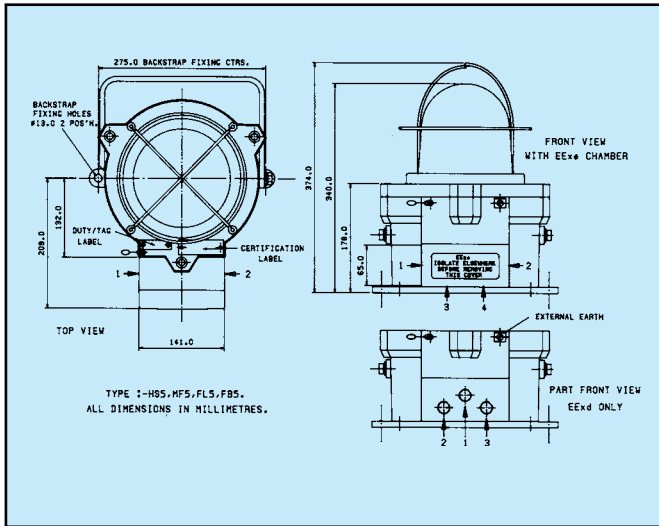


Specification

Model	Type	Voltage 50/60 Hz.	Lamp Wattage	T Rating	Operating Temperature	Weight EExd units*
FL5	Fluorescent	220/240/254Va.c.	52W (4x13)	T4	-20 to +50°C	13.25kg
FB5	Filament	240Va.c. (max)	200W (max)	T3	-20 to +30°C	11.6kg
MF5	Mercury Fluorescent	220/240/254Va.c.	80W	T3	-20 to +40°C	12.9kg
HS5	High Pressure Sodium	220/240/254Va.c.	70W	T4	-20 to +40°C	13.0kg

*Add 1kg for EExe version.

Certification:	CENELEC EN50014 & 50018 & 50019. Certificate No. Baseefa02ATEX0225X. BASEEFA – EExd IIB or EExde IIB. CSA certified: Class I, Zone 1, Exd IIB T4. CSA certification to E79-0-95, E-79-1-95, C22.2 Nos. 9.0-96. Cert. No. LR96406 (HS5 only). To order, contact MEDC.
Material:	LM25 TF marine grade alloy body. Glass reinforced polyester (GRP) terminal chamber. Toughened Wellglass.
Finish:	Grey epoxy paint finish as standard or to customer's specification.
Ingress Protection:	IP66, IP67 & IP68.
Lens:	Can be coloured if required.
Lamps:	Units are supplied without lamps. Please specify and order separately
Lampholder:	FB5, HS5, MF5 Type ES27. FL5 Type G24-d1.
Photometric Data:	These units have been tested by BSI and test reports are available on request.
Terminals:	EExe 6 off suitable for up to 6mm ² cable or EExd 8 off suitable for up to 6mm ² cable.
Entries:	Up to 3 x 20mm ² ISO or 2 x 25mm ² ISO in EExd unit. Up to 4 x 20mm ² ISO or 4 x 25mm ² ISO in EExe unit.



Ordering Requirements

The following code is designed to help in the selection of the correct unit. Build up the reference number by inserting the code for each component in the appropriate box.

Model	Terminal Chamber	Voltage	Fixing	Entries	Guard	Tag Label	Finish																																																															
<input type="text"/>	<input type="text"/>	<input type="text"/>	<input type="text"/>	<input type="text"/>	<input type="text"/>	<input type="text"/>	<input type="text"/>																																																															
<table border="1"> <tr><th>Model</th></tr> <tr><td>FL5</td></tr> <tr><td>FB5</td></tr> <tr><td>MF5</td></tr> <tr><td>HS5</td></tr> </table>	Model	FL5	FB5	MF5	HS5	<table border="1"> <tr><th>Terminal Chamber</th><th>Code</th></tr> <tr><td>EExd</td><td>D</td></tr> <tr><td>EExde</td><td>E</td></tr> </table>	Terminal Chamber	Code	EExd	D	EExde	E	<table border="1"> <tr><th>Voltage</th><th>Code</th></tr> <tr><td colspan="2">(refer to table above for details)</td></tr> <tr><td>220Va.c.</td><td>G</td></tr> <tr><td>240Va.c.</td><td>H</td></tr> <tr><td>254Va.c.</td><td>J</td></tr> </table>	Voltage	Code	(refer to table above for details)		220Va.c.	G	240Va.c.	H	254Va.c.	J	<table border="1"> <tr><th>Fixing</th><th>Code</th></tr> <tr><td>Backstrap</td><td>B</td></tr> <tr><td>Stirrup</td><td>S</td></tr> </table>	Fixing	Code	Backstrap	B	Stirrup	S	<table border="1"> <tr><th>Entry</th><th>Code</th></tr> <tr><td>20mm</td><td>*B</td></tr> <tr><td>25mm</td><td>*C</td></tr> <tr><td colspan="2">*Prefix entry size (see diagram above) with entry position code e.g. 1B2B.</td></tr> </table>	Entry	Code	20mm	*B	25mm	*C	*Prefix entry size (see diagram above) with entry position code e.g. 1B2B.		<table border="1"> <tr><th>Guard</th><th>Code</th></tr> <tr><td>None</td><td>0</td></tr> <tr><td>Guard</td><td>1</td></tr> </table>	Guard	Code	None	0	Guard	1	<table border="1"> <tr><th>Label</th><th>Code</th></tr> <tr><td>None</td><td>N</td></tr> <tr><td>Yes</td><td>Y</td></tr> <tr><td colspan="2">(Please specify)</td></tr> </table>	Label	Code	None	N	Yes	Y	(Please specify)		<table border="1"> <tr><th>Finish</th><th>Code</th></tr> <tr><td>Grey</td><td>G</td></tr> <tr><td>Red</td><td>R</td></tr> <tr><td>Blue</td><td>B</td></tr> <tr><td>Yellow</td><td>Y</td></tr> <tr><td>White</td><td>W</td></tr> <tr><td>Other (please specify)</td><td>S</td></tr> </table>	Finish	Code	Grey	G	Red	R	Blue	B	Yellow	Y	White	W	Other (please specify)	S
Model																																																																						
FL5																																																																						
FB5																																																																						
MF5																																																																						
HS5																																																																						
Terminal Chamber	Code																																																																					
EExd	D																																																																					
EExde	E																																																																					
Voltage	Code																																																																					
(refer to table above for details)																																																																						
220Va.c.	G																																																																					
240Va.c.	H																																																																					
254Va.c.	J																																																																					
Fixing	Code																																																																					
Backstrap	B																																																																					
Stirrup	S																																																																					
Entry	Code																																																																					
20mm	*B																																																																					
25mm	*C																																																																					
*Prefix entry size (see diagram above) with entry position code e.g. 1B2B.																																																																						
Guard	Code																																																																					
None	0																																																																					
Guard	1																																																																					
Label	Code																																																																					
None	N																																																																					
Yes	Y																																																																					
(Please specify)																																																																						
Finish	Code																																																																					
Grey	G																																																																					
Red	R																																																																					
Blue	B																																																																					
Yellow	Y																																																																					
White	W																																																																					
Other (please specify)	S																																																																					



All the above specifications, dimensions, weights and tolerances are nominal (typical) and MEDC reserve the right to vary all data without prior notice. No liability is accepted for any consequence of use.