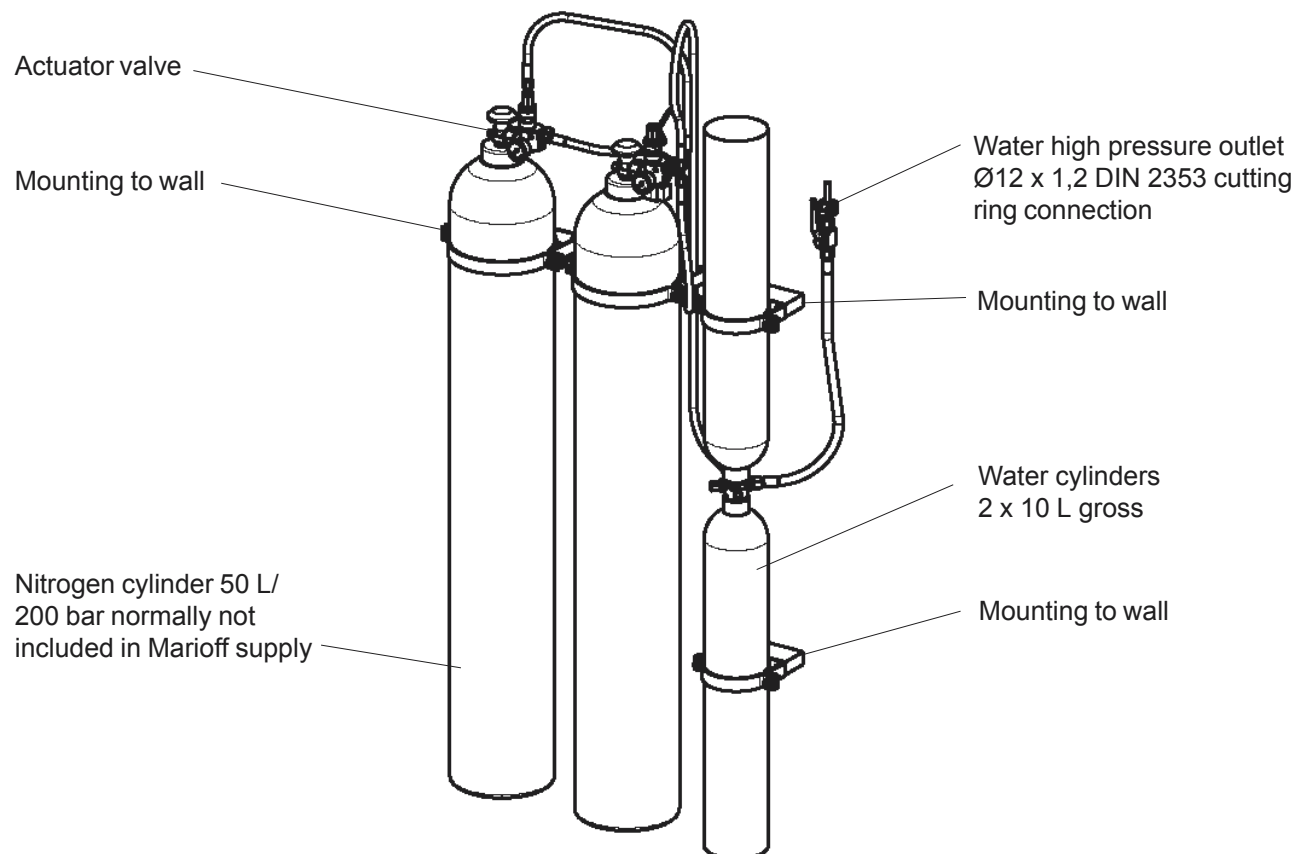




Sub-floor Accumulator Unit DAU-20-S

Stock codes E21228 and E21229

09 Apr 2003



Model	Length [mm]	Width [mm]	Height [mm]	Mass (dry) [kg]	Mass (wet) [kg]	Max. output
DAU-20-S-1	862	242	1779			15 L
DAU-20-S-2	967	242	1901			15 L

Description

DAU-20-S (Sub-floor Accumulator Unit) consists of water cylinders fully interconnected and powered by a pressurized nitrogen cylinder(s). The nitrogen cylinders are not supplied as local cylinders are recommended because of the varying national regulations. In stand-by situation, the water cylinders and the piping system are not pressurized. Upon actuation the unit will discharge on a continuous basis for the duration of discharge through the stainless steel piping and the HI-FOG sub-floor smoke scrubbing equipments.

The system activation can be done remotely or manually depending on the actuator valve. Once released, the nitrogen forces the water from cylinders to piping system and to spray heads. The discharge is normally designed for a 10 minute period.

For further information, see related documents:

DAU-20-S-1	DHDUDA000075B	THPUDA000075
DAU-20-S-2	DHDUDA000076B	THPUDA000076

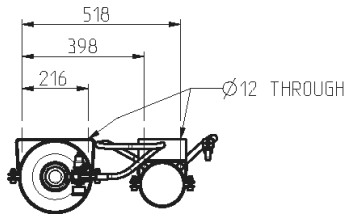
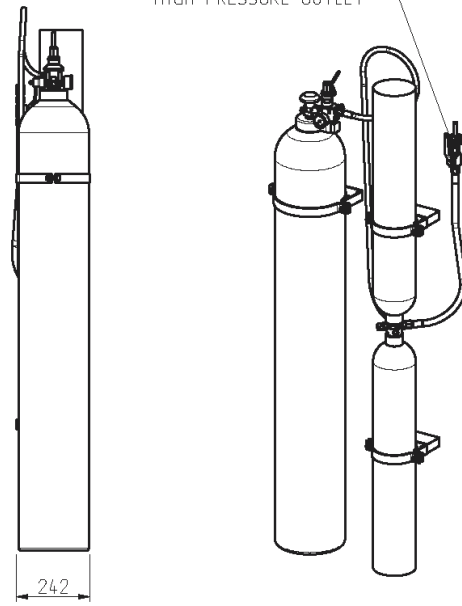
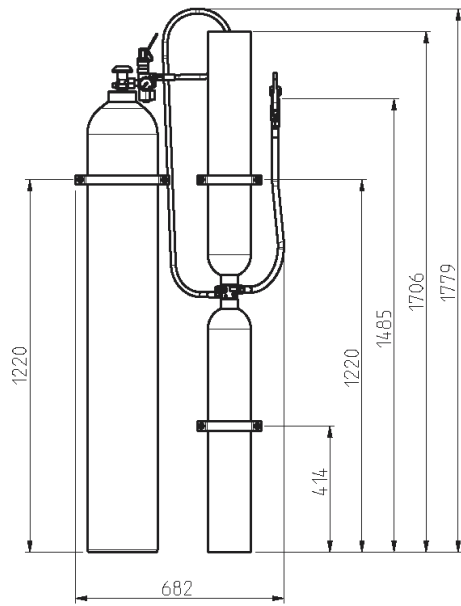


Technical Data Sheet

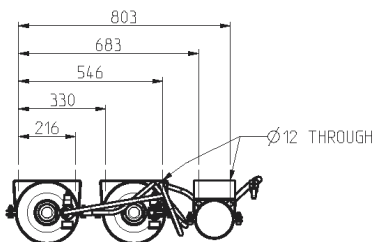
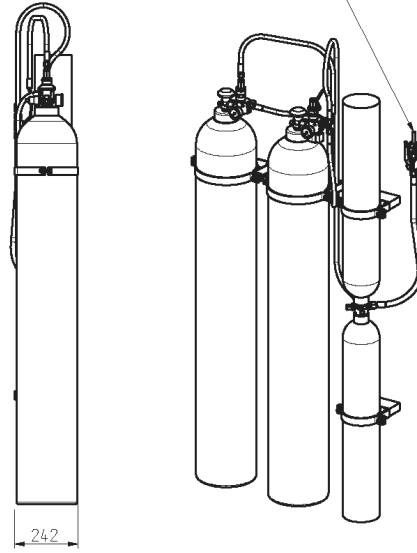
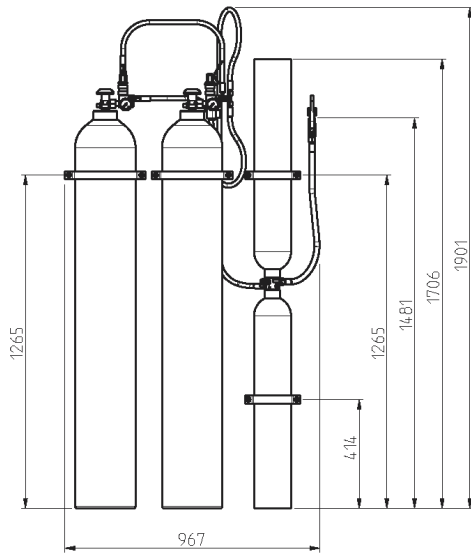
Sub-floor Accumulator Unit DAU-20-S

Stock codes E21228 and E21229

09 Apr 2003



EXTERNAL PIPING CONNECTIONS	
CONNECTION	TYPE / DIMENSION
HIGH PRESSURE OUTLET	Ø12X1.2 DIN2353 CUTTING-RING FITTING



EXTERNAL PIPING CONNECTIONS	
CONNECTION	TYPE / DIMENSION
HIGH PRESSURE OUTLET	Ø12X1.2 DIN2353 CUTTING-RING FITTING



2316 So. 24th Street
 Omaha, NE 68108
 800.550.1AFP (1237) toll free
 402.733.2800 voice
 402.344.7469 fax
 www.associatedfire.net
 E-mail: info@associatedfire.net