



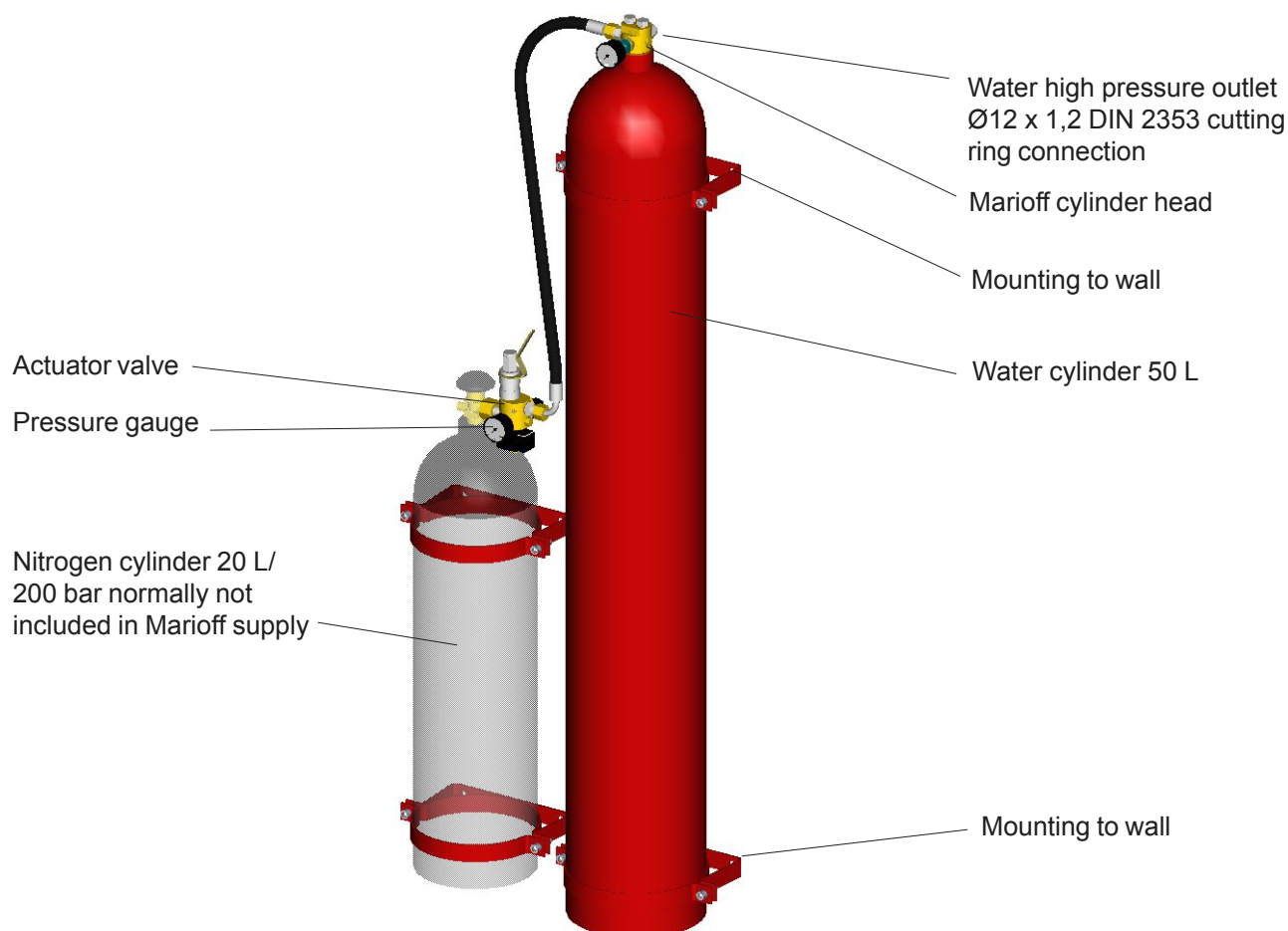
Technical Data Sheet TE1050

Machinery Space Accumulator Unit MAU 50 WM

Stock codes E2101X (X: see table below)

TA 29 Aug 2003

Type	Model	150 bar	200 bar	250 bar
Wall Mounting models	MAU 50 WM	E21012	E21011	E21010



Model	Length [mm]	Width [mm]	Height [mm]	Mass (dry) [kg]	Mass (wet) [kg]	Max. output
MAU 50 WM	619	242	1584			50 L

Description

MAU (Machinery space Accumulator Unit) consists of water cylinder fully interconnected and powered by a pressurized nitrogen cylinder. The nitrogen cylinder is not supplied as local cylinders are recommended because of the national regulations. In stand-by situation, the water cylinder and the piping system are not pressurized. Upon actuation the unit will discharge on a continuous basis for the duration of discharge through the stainless steel piping and the HI-FOG spray heads.

The system activation can be done remotely or manually depending on the actuator valve. Once released, the nitrogen forces the water from cylinder to piping system and to spray heads. The discharge is normally designed for a 10 minute period.

For further information, see related documents: Dimensional Drawing no. DHAUMA000111A (MAU 50 WM)



HI-FOG®

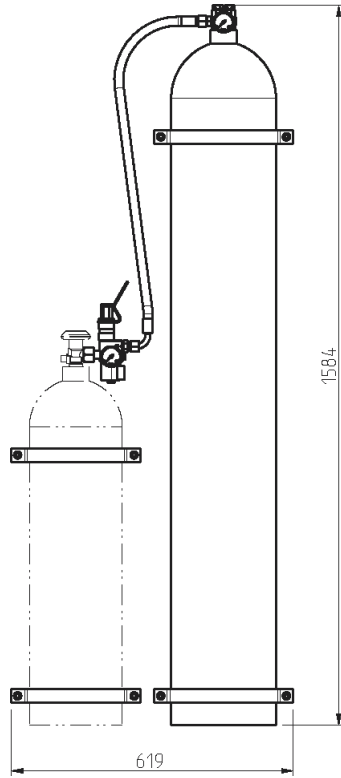
Machinery Space Accumulator Unit MAU 50 WM

Stock codes E21010, E21011 and E21012

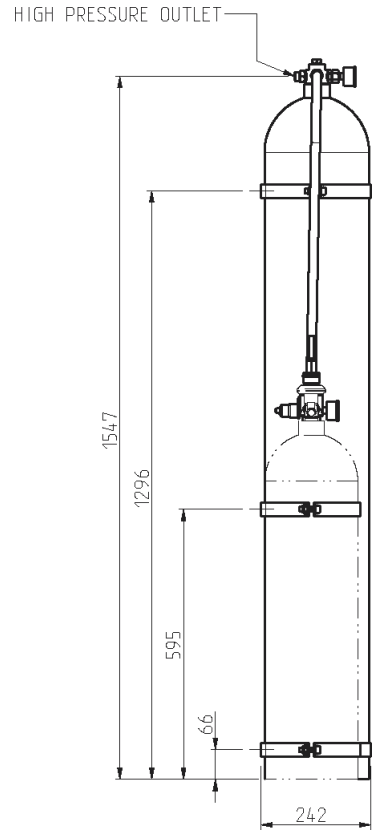
TA

29 Aug 2003

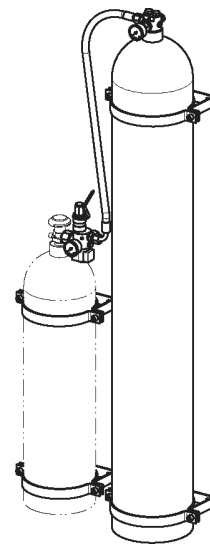
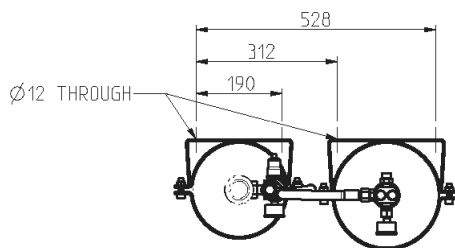
Front view



Side view



Top view



2316 So. 24th Street
Omaha, NE 68108
800.550.1AFP (1237) toll free
402.733.2800 voice
402.344.7469 fax
www.associatedfire.net
E-mail: info@associatedfire.net



EXTERNAL PIPING CONNECTIONS

CONNECTION	TYPE / DIMENSION
HIGH PRESSURE OUTLET	Ø12X1.2 DIN2353 CUTTING-RING FITTING