

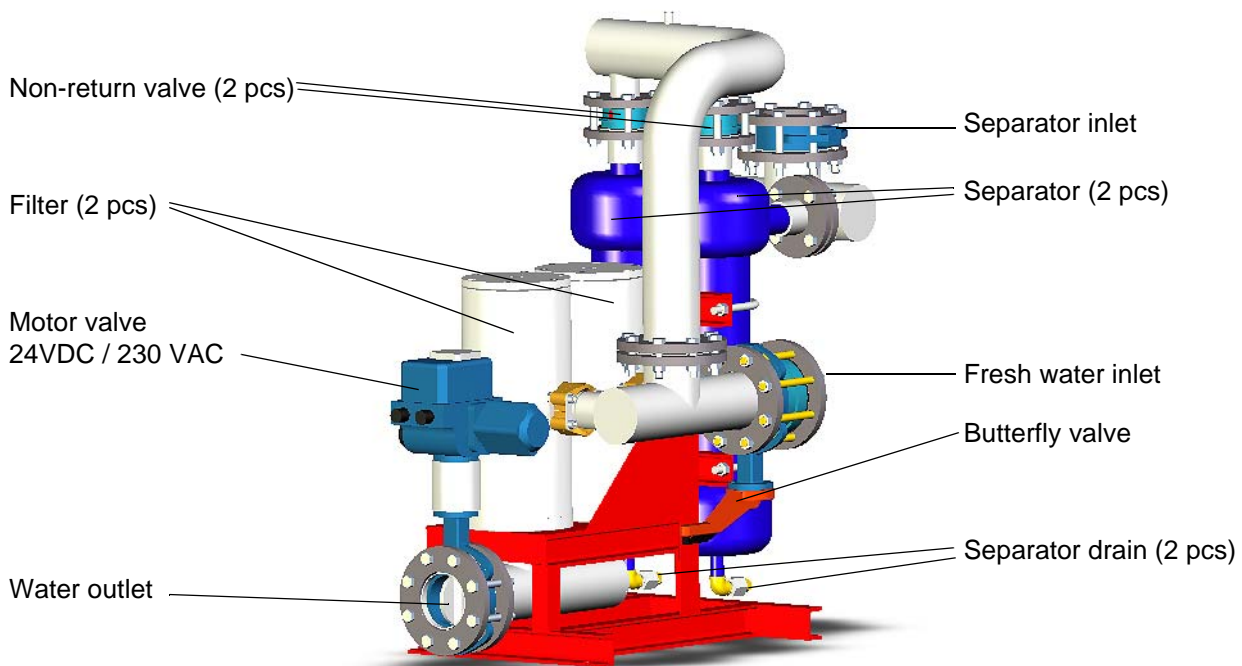
Filter/separator unit for SPU pump units

Product E01536

12 Jun 2009

Description

The filter/separator unit E01536 with a stainless steel (AISI 316) filter is used with the SPU pump units. The material of the filter unit frame is painted steel (S235). The capacity of the filter unit is 1000 l/min and dry mass approximately 270 kg. The filter unit includes a motor valve controlled by an electric signal and adjusted in accordance with the water flow need of the pump unit.



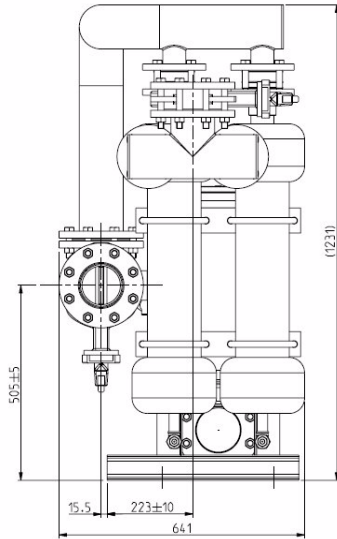
External piping connections	
Separator inlet	DN100 DIN2642 flange PN 10
Fresh water inlet	DN100 DIN2642 flange PN 10
Water outlet	DN100 DIN2642 flange PN 10
Separator drain	ø12S DIN2353 cutting ring fitting

Filter/separator unit for SPU pump units

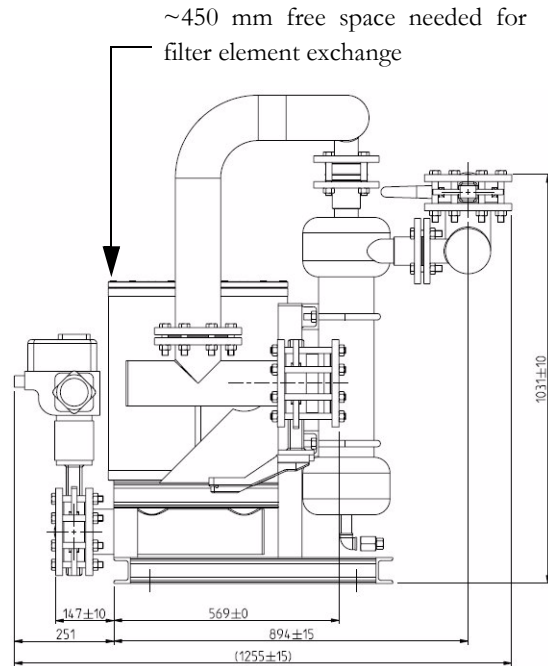
Product E01536

12 Jun 2009

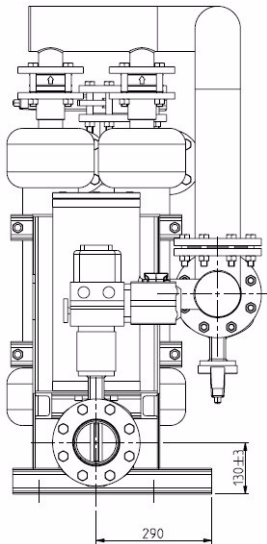
Right side view



Front view



Left side view



Bottom view

